



Tucker's Technical

Phone: 310-259-1617 • 1536 W 25TH ST. STE 267

. San Pedro, CA 90732-4415

ITS TERMINAL PACECO CRANE INSPECTION FORM **MONO-BOX**

Crane serial Number: Crane 12 Outreach 177.2 ft Back Reach 75 ft Rail Span 100 ft

Equipment Number: _____

Inspected By: Scott Tucker Tucker's Technical Services

Date of Inspection: April 4,2022


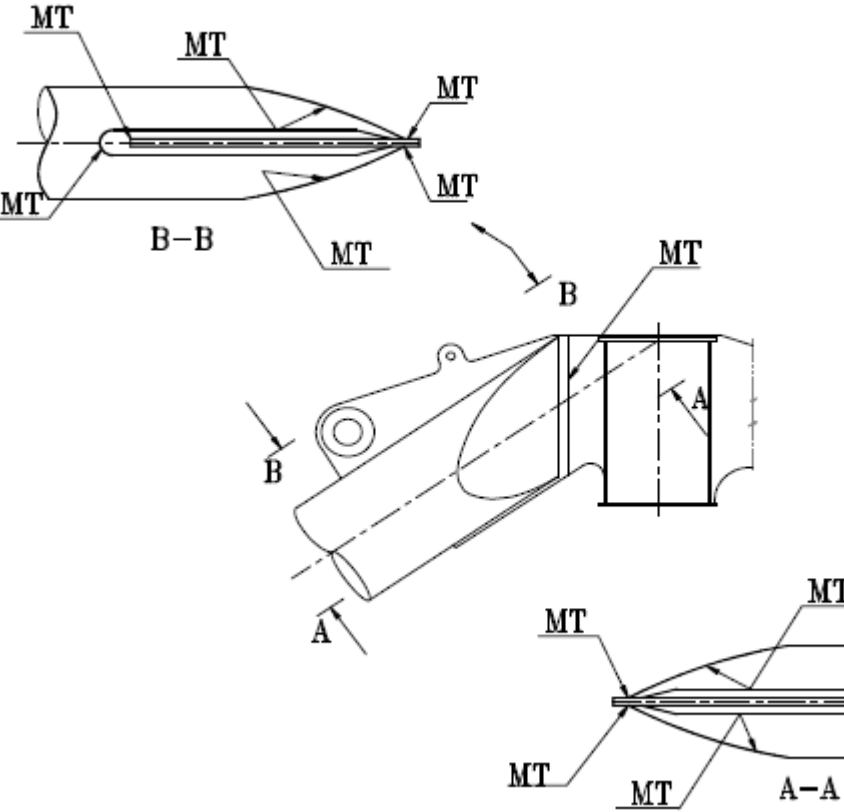





Tucker's Technical

Phone: 310-259-1617 • 1536 W 25TH ST. STE 267

. San Pedro, CA 90732-4415


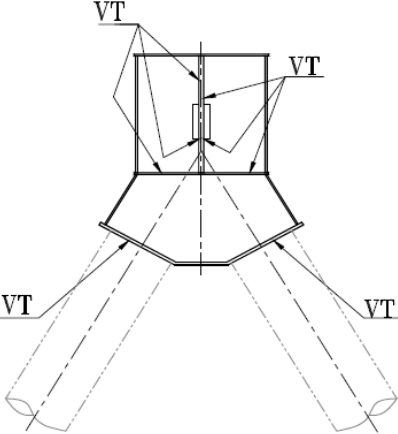


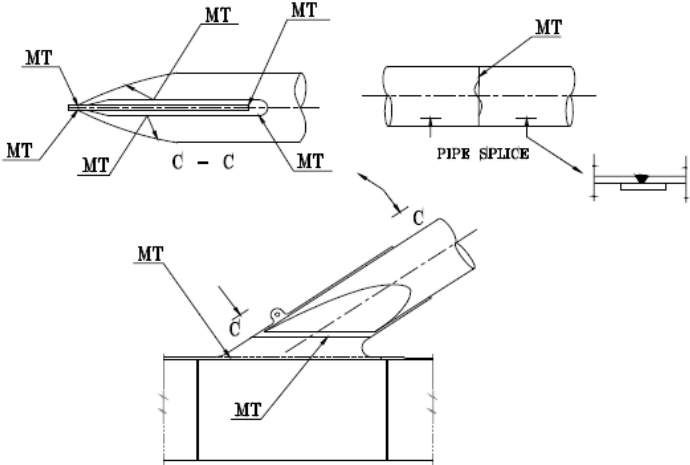
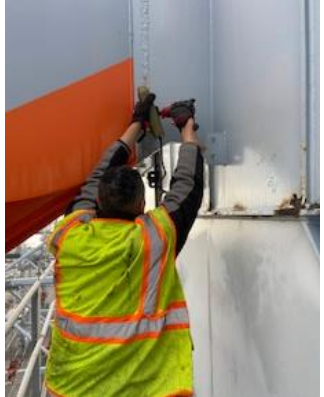
Part Name	VT	MT	Diagram	Inspector's Notes
<p>A-Frame Support (1)</p> 	<p>VT 1 Accept all</p>	<p>MT 1- 15 Accept all</p>		 <p>Accept all VT & MT Points per this section</p>



Tucker's Technical

Phone: 310-259-1617 • 1536 W 25TH ST. STE 267

. San Pedro, CA 90732-4415


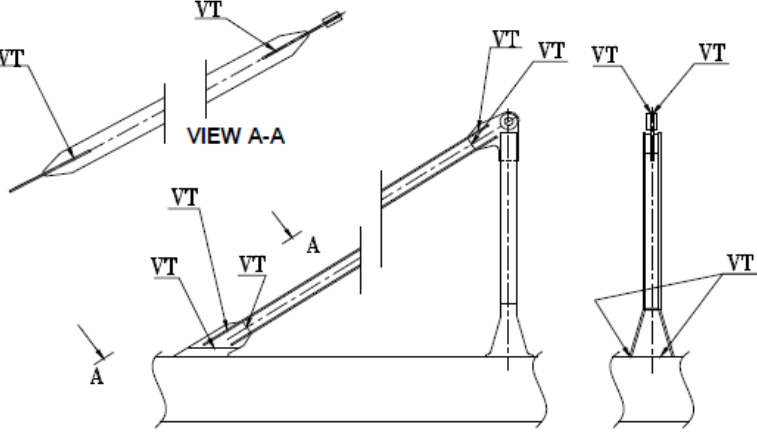


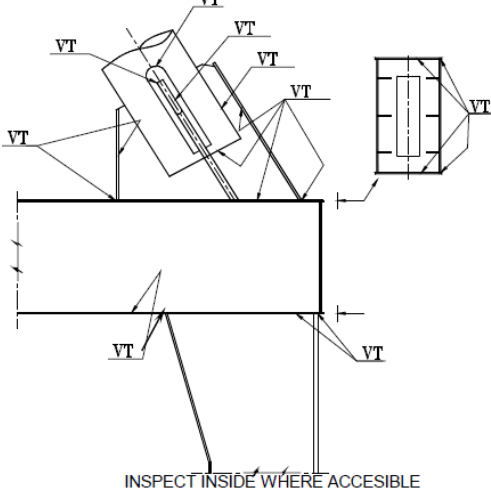

Part Name	VT	MT	Diagram	Inspector's Notes
<p>A-Frame & Top Cross Connection</p> 	<p>VT 1-4 Accept all</p>	<p>MT 0</p>		<p>J21-J24 STS Joint Key Plan</p> 
<p>A-Frame Support Lower</p> 	<p>VT 0</p>	<p>MT 1-8 Accept all</p>		 <p>J21-J22 STS Joint Key Plan.</p>



Tucker's Technical

Phone: 310-259-1617 • 1536 W 25TH ST. STE 267

. San Pedro, CA 90732-4415


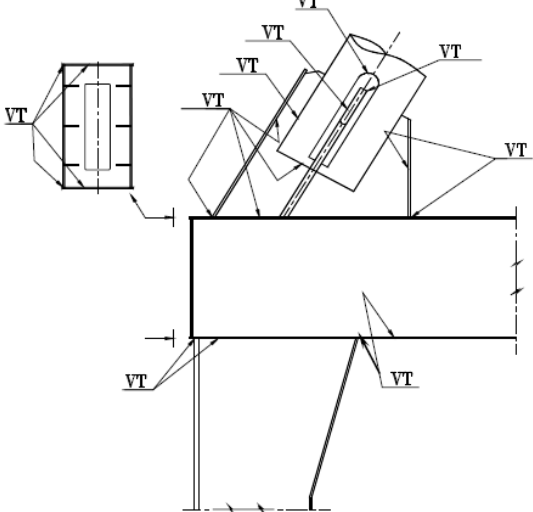


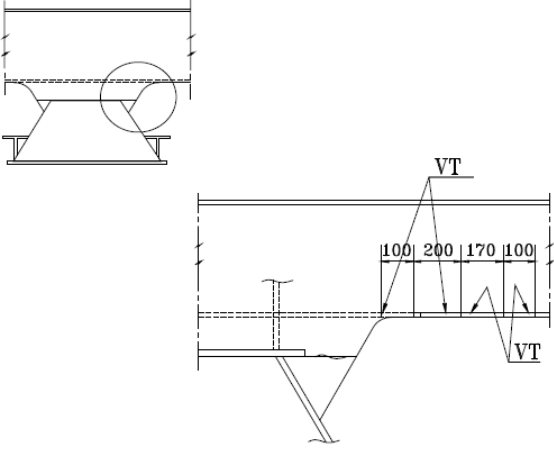
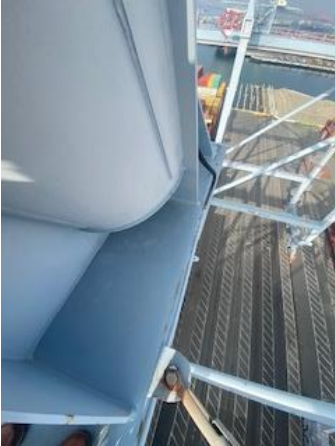
Part Name	VT	MT	Diagram	Inspector's Notes
<p>Backstay Support</p> 	<p>VT 1-10 Accept all</p>	<p>MT 0</p>		<p>J42-J43</p> 
<p>Waterside Girder Support Beam</p> 	<p>VT 1-9 Accept all</p>	<p>MT 0</p>	 <p>INSPECT INSIDE WHERE ACCESSIBLE</p>	



Tucker's Technical

Phone: 310-259-1617 • 1536 W 25TH ST. STE 267

. San Pedro, CA 90732-4415


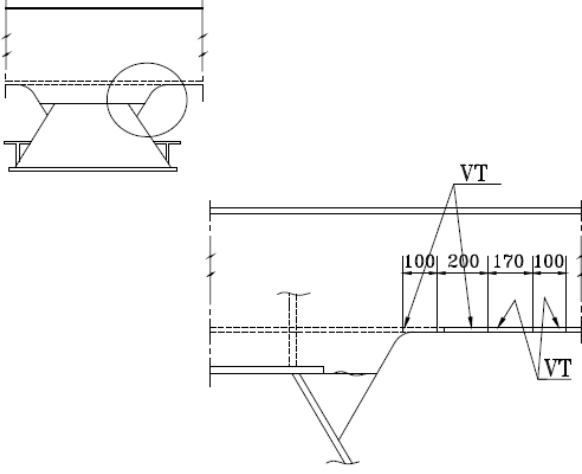


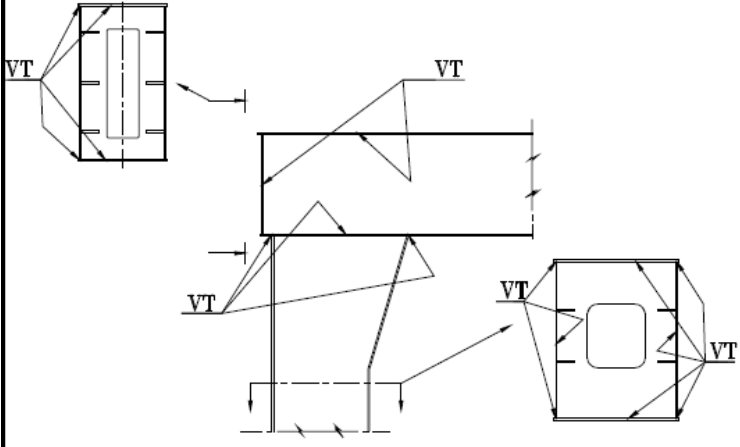
Part Name	VT	MT	Diagram	Inspector's Notes
<p>Waterside Leg Girder Support Beam</p> 	<p>VT 1-9 Accept all</p>	<p>MT 0</p>		<p>M19-M20</p> 
<p>Waterside Leg Girder Support Beam to Girder Connection</p> 	<p>VT 1-2 Accept all</p>	<p>MT 0</p>		



Tucker's Technical

Phone: 310-259-1617 • 1536 W 25TH ST. STE 267

. San Pedro, CA 90732-4415


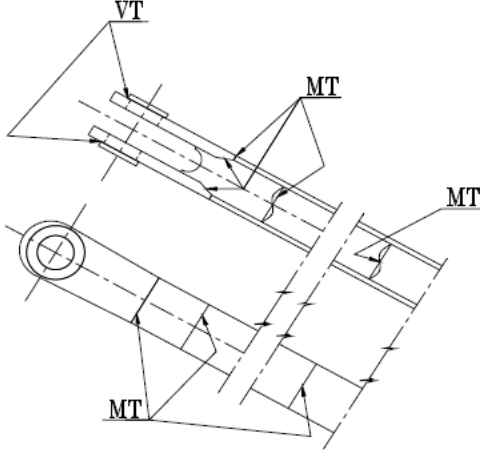


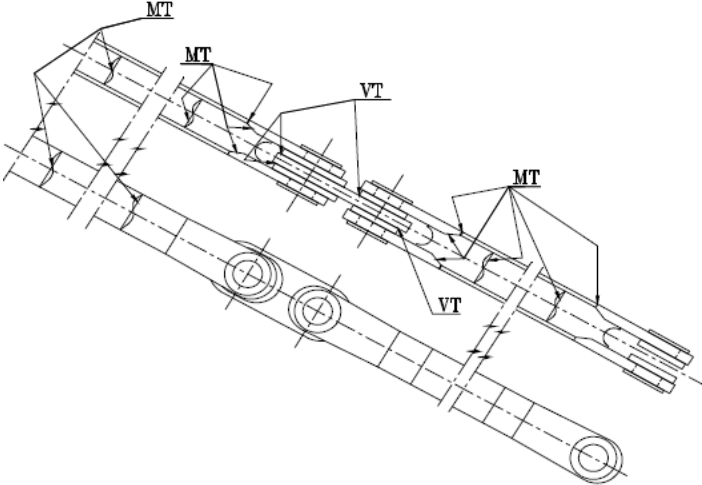

Part Name	VT	MT	Diagram	Inspector's Notes
Landside Leg Girder Support Beam to Girder Connection 	VT 1-2 Accept all	MT 0		M13-M14 Light corrosion on horizontal weld 
Landside Leg Girder Support Beam to A-Frame Connection 	VT 1-5 Accept all	MT 0		M19-M22



Tucker's Technical

Phone: 310-259-1617 • 1536 W 25TH ST. STE 267

. San Pedro, CA 90732-4415


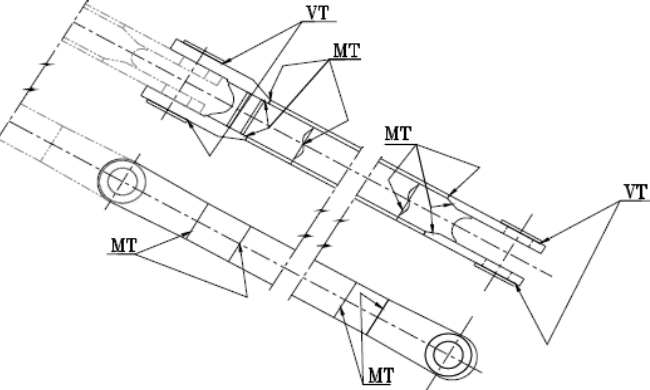


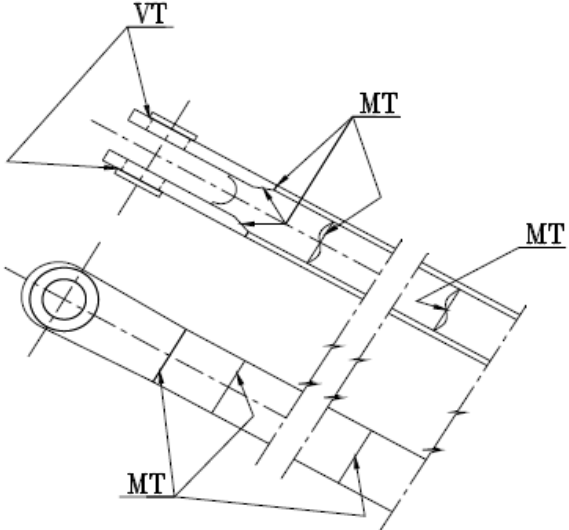

Part Name	VT	MT	Diagram	Inspector's Notes
<p>Outer Forestay Upper Section</p> 	<p>VT 1 Accept all</p>	<p>MT 1-3 Accept all</p>		
<p>Outer Forestay Middle Link</p> 	<p>VT 1-2 Accept all</p>	<p>MT 1-3 Accept all</p>		<p>M42-M47</p> 



Tucker's Technical

Phone: 310-259-1617 • 1536 W 25TH ST. STE 267

. San Pedro, CA 90732-4415


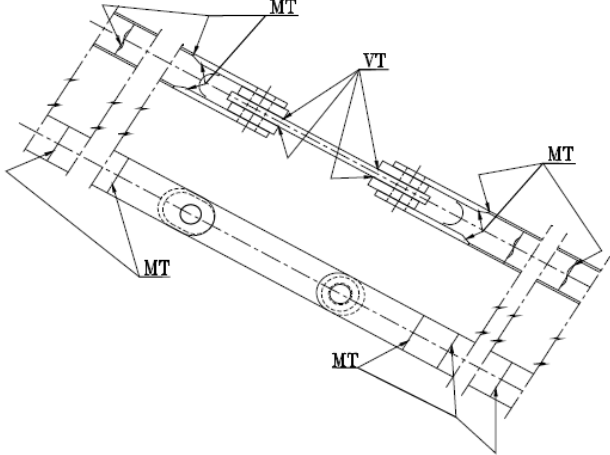


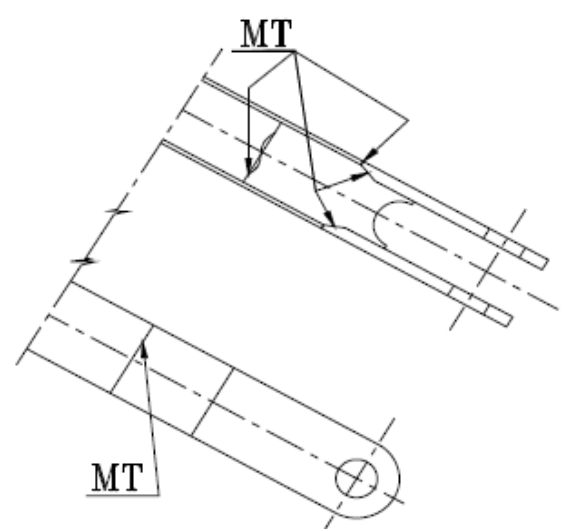

Part Name	VT	MT	Diagram	Inspector's Notes
Outer Forestay Lower Link 	VT 1-2 Accept all	MT 1-4 Accept all		M42-M47 
Inner Forestay Upper Link 	VT 1 Accept all	MT 1-3 Accept all		M36- M41 



Tucker's Technical

Phone: 310-259-1617 • 1536 W 25TH ST. STE 267

. San Pedro, CA 90732-4415


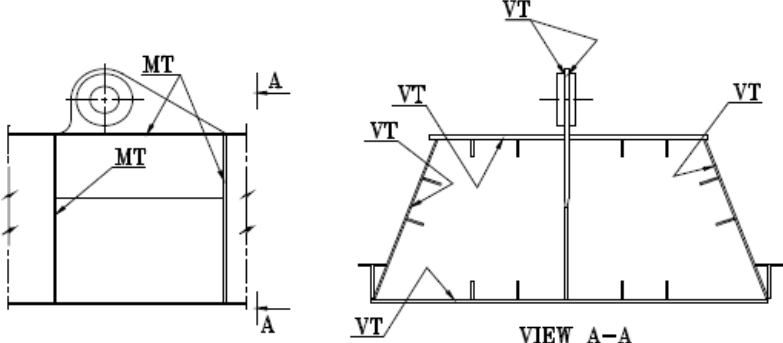


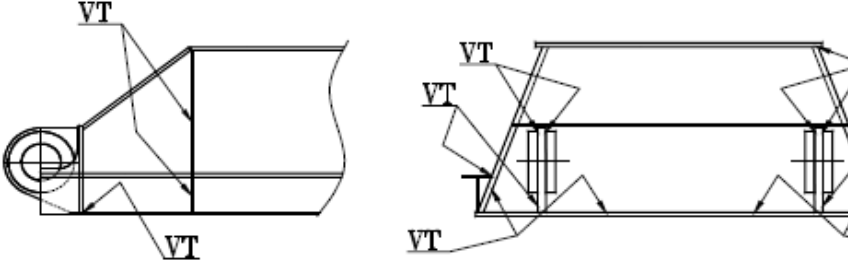


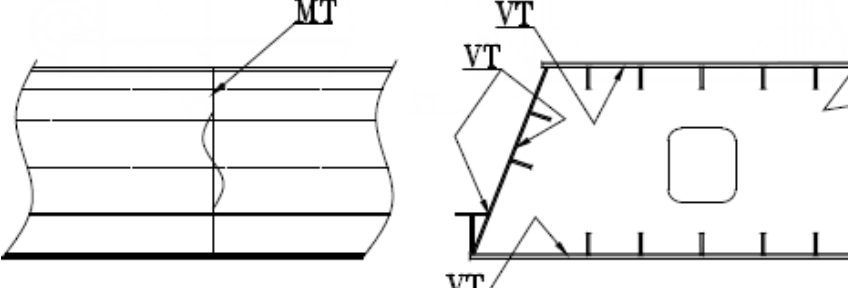

Part Name	VT	MT	Diagram	Inspector's Notes
Inner Forestay Middle Link 	VT 1 Accept all	MT 1-4 Accept all		 M40, M39, M44, M43
Inner Forestay Lower Link 	VT 0	MT 1-2 Accept all		



Tucker's Technical

Phone: 310-259-1617 • 1536 W 25TH ST. STE 267

. San Pedro, CA 90732-4415

Part Name	VT	MT	Diagram	Inspector's Notes
Inner Forestay Bracket 	VT 1-5 Accept all	MT 1-2 Accept all	 <p style="text-align: center;">VIEW A-A</p>	 M36
Boom Hinge 	VT 1-8 Accept all	MT 0		J35 & J36 
Trolley Girder Section @ Splice 	VT 1-4 Accept all	MT 1 Accept all		



Tucker's Technical

Phone: 310-259-1617 • 1536 W 25TH ST. STE 267

. San Pedro, CA 90732-4415


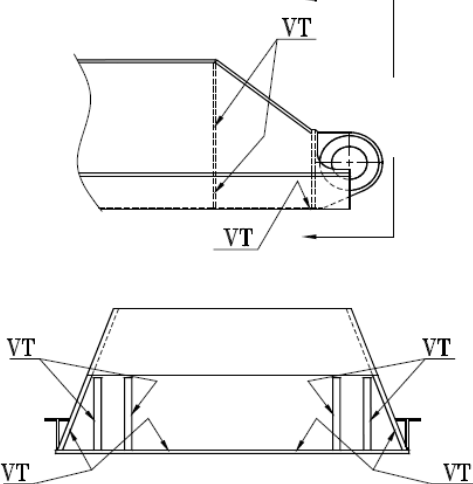

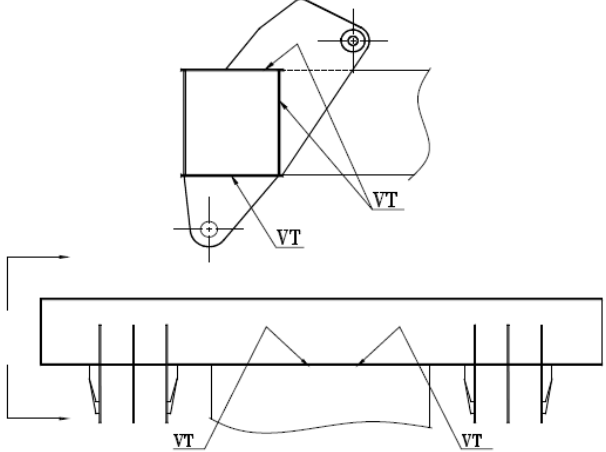
Part Name	VT	MT	Diagram	Inspector's Notes
Boom Section @ Splice	VT 1-4 Accept all	MT 1 Accept all		J35 & J36
Boom End Platform 	VT 1-3 Accept all	MT 0		J41 (SDS joint key plan)



Tucker's Technical

Phone: 310-259-1617 • 1536 W 25TH ST. STE 267

. San Pedro, CA 90732-4415


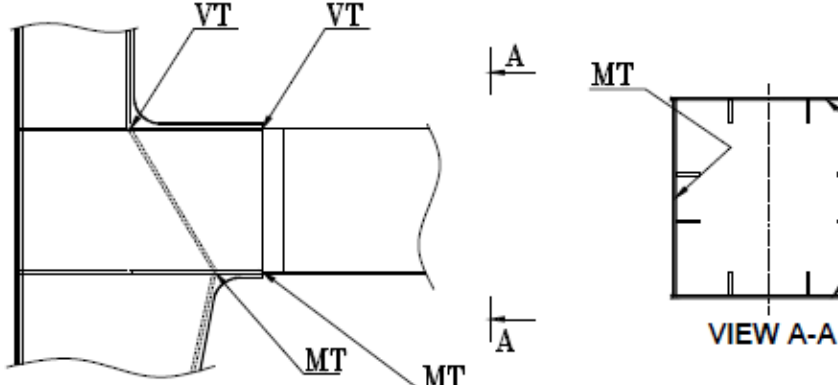
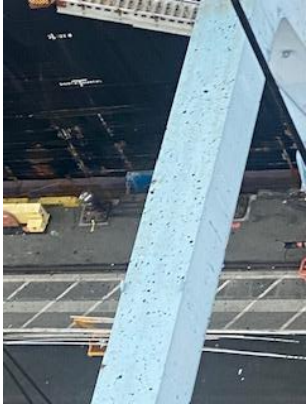

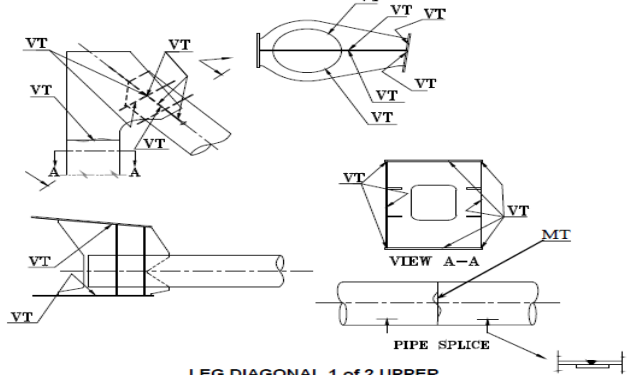
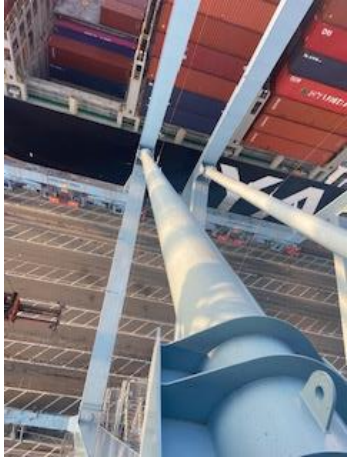
Part Name	VT	MT	Diagram	Inspector's Notes
<p>Trolley Girder Hinge</p> 	<p>VT 1-6 Accept all</p>	<p>MT 0</p>		<p>M26 SDS structural inspection</p>
<p>Trolley Girder End Tie</p> 	<p>VT 1-4 Accept all</p>	<p>MT 0</p>		



Tucker's Technical

Phone: 310-259-1617 • 1536 W 25TH ST. STE 267

. San Pedro, CA 90732-4415


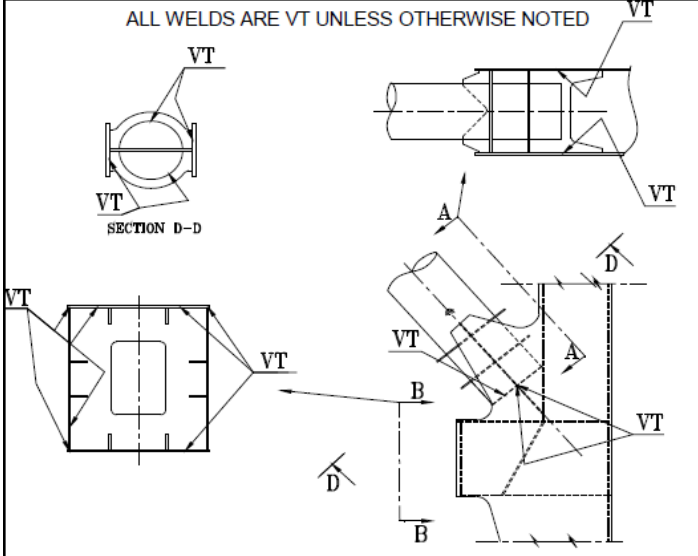

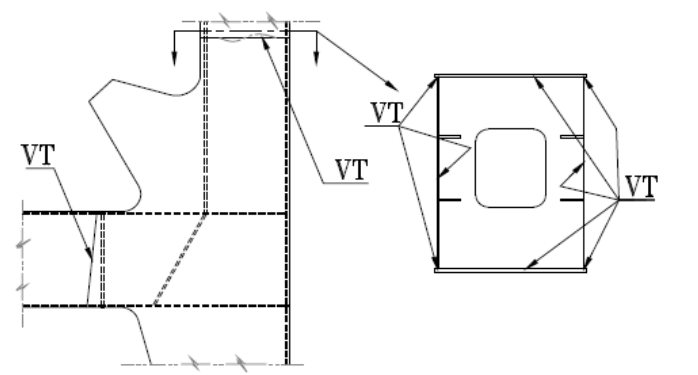

Part Name	VT	MT	Diagram	Inspector's Notes
<p>Portal Tie Landside</p> 	<p>VT 1-2 Accept all</p>	<p>MT 1-4 Accept all</p>	 <p>ALL WELDS ARE VT UNLESS OTHERWISE NOTED</p>	
<p>Leg Diagonal (Part 1)</p> 	<p>VT 1-22 Accept all</p>	<p>MT 1 Accept all</p>	 <p>LEG DIAGONAL 1 OF 2 HDBEP</p>	<p>J8-J12</p> 



Tucker's Technical

Phone: 310-259-1617 • 1536 W 25TH ST. STE 267

. San Pedro, CA 90732-4415


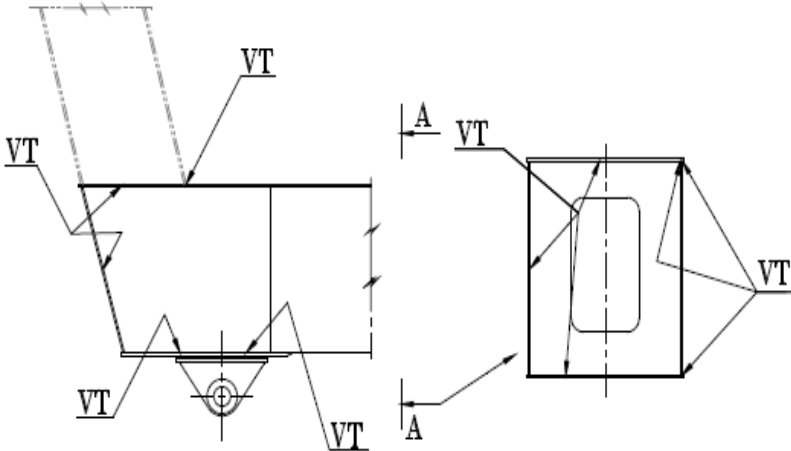


Part Name	VT	MT	Diagram	Inspector's Notes
<p>Leg Diagonal (Part 2)</p> 	<p>VT 1-22 Accept all</p>	<p>MT 1 Accept all</p>	<p>ALL WELDS ARE VT UNLESS OTHERWISE NOTED</p> 	<p>J8-J12</p>
<p>Waterside Leg</p> 	<p>VT 1-4 Accept all</p>	<p>MT 0</p>		



Tucker's Technical

Phone: 310-259-1617 • 1536 W 25TH ST. STE 267

. San Pedro, CA 90732-4415

Part Name	VT	MT	Diagram	Inspector's Notes
<p>Sill beam</p> 	<p>VT 1-6 Accept all</p>	<p>MT 0</p>		<p>Sill beam equalizer mounting plate bolts should be changed out, heavily corroded. Heavy corrosion on sill beam lower horizontal. J1-J7</p>  



Tucker's Technical

Phone: 310-259-1617 • 1536 W 25TH ST. STE 267

. San Pedro, CA 90732-4415

Pictures

